

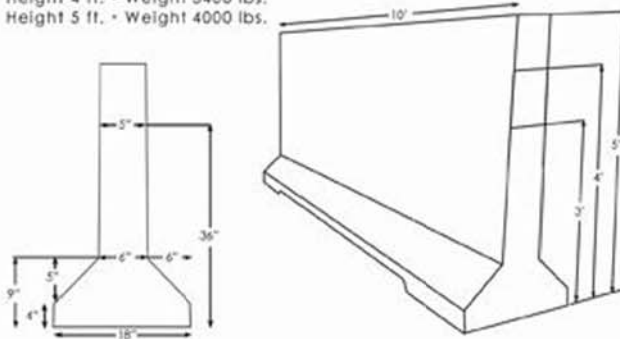
WATER TANKS

Other Products



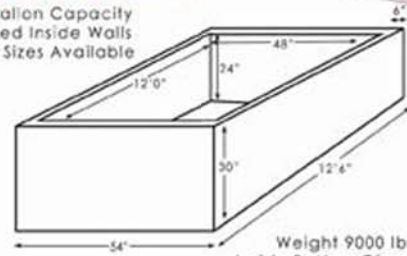
Divider Walls

Height 3 ft. • Weight 2800 lbs.
 Height 4 ft. • Weight 3400 lbs.
 Height 5 ft. • Weight 4000 lbs.



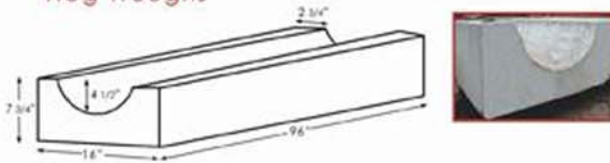
Concrete Water Tanks

600 Gallon Capacity
 Tapered Inside Walls
 Other Sizes Available

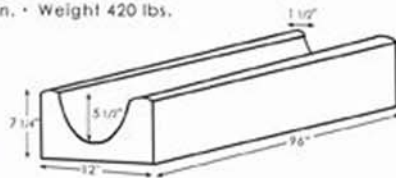


Weight 9000 lbs.
 Inside Bottom Dimensions
 11'5" x 41"

Hog Troughs

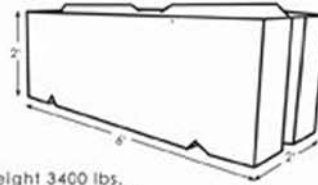


Length 8 ft. • Width 12 in. • Weight 420 lbs.



Length 8 ft. • Width 16 in. • Weight 690 lbs.

Interlocking Cubes



Weight 3400 lbs.
 Other Sizes Available

Sound & Privacy
 Walls
 Many Sizes and Textures
 Available



Architectural & Specialty Precast

Call us for your special order needs.

