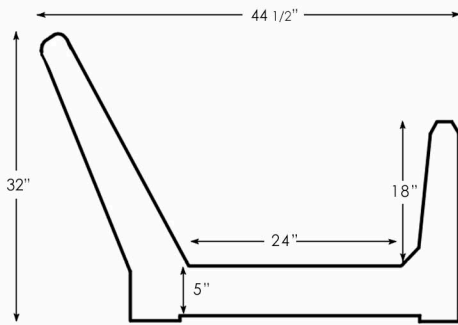




Feed Bunks

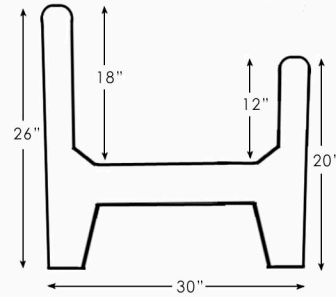
Fenceline Feed Bunk Low "J" Style

Length 8 ft. • Weight 2900 lbs.
End Caps Available
Available with Ceramic Tile Feeding Floor



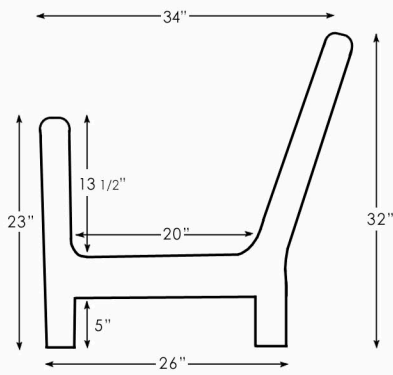
Fenceline Feed Bunk Straight Back "J" Style

Length 8 ft.
Weight 1700 lbs.
End Caps Available



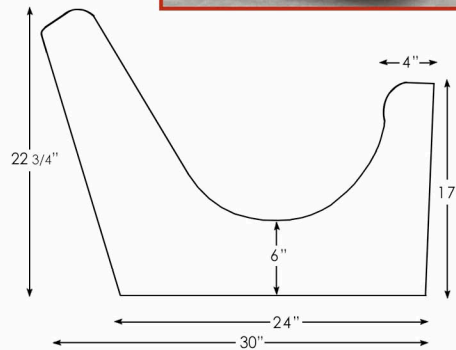
Fenceline Feed Bunk "J" Style

Length 8 ft. • Weight 2000 lbs.
End Caps Available



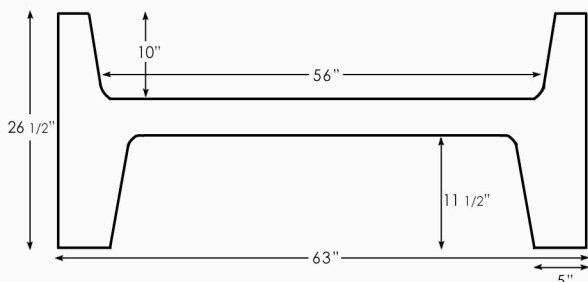
Short "J" Style

Up to 15 ft. Length
Weight 300 lbs./ft.
End Caps Available



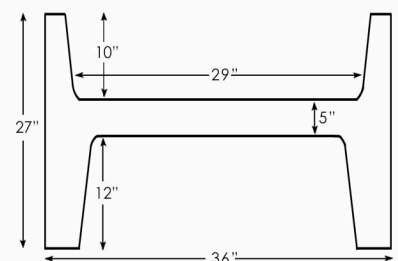
Silo Feed Bunks "H" Style

Length 5 ft. • Weight 2500 lbs.
End Caps Available



Silo Feed Bunks Narrow "H" Style

Length 8 ft. • Weight 2280 lbs.
End Caps Available

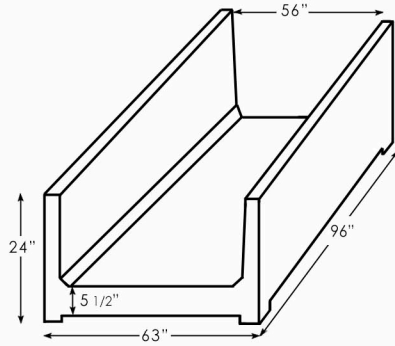
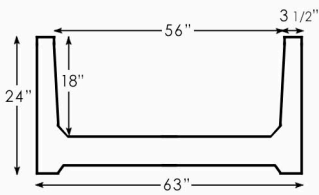




Other Products

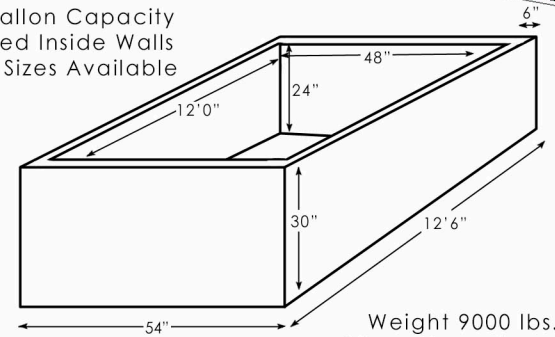
Silo Feed Bunks "U" Style

Length 8 ft. • Weight 3700 lbs.
End Caps Available
Available with Ceramic Tile Feeding Floor



Concrete Water Tanks

600 Gallon Capacity
Tapered Inside Walls
Other Sizes Available



Weight 9000 lbs.
Inside Bottom Dimensions
11'5" x 41"